

Customer:

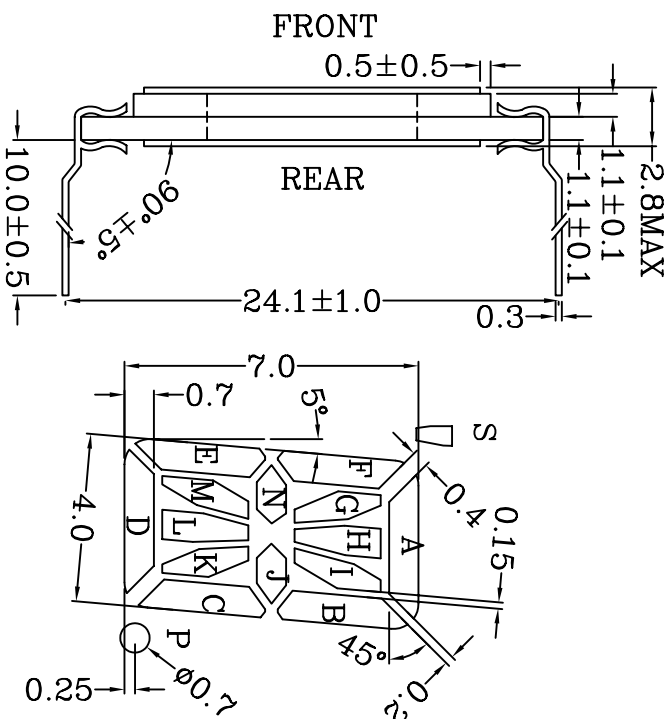
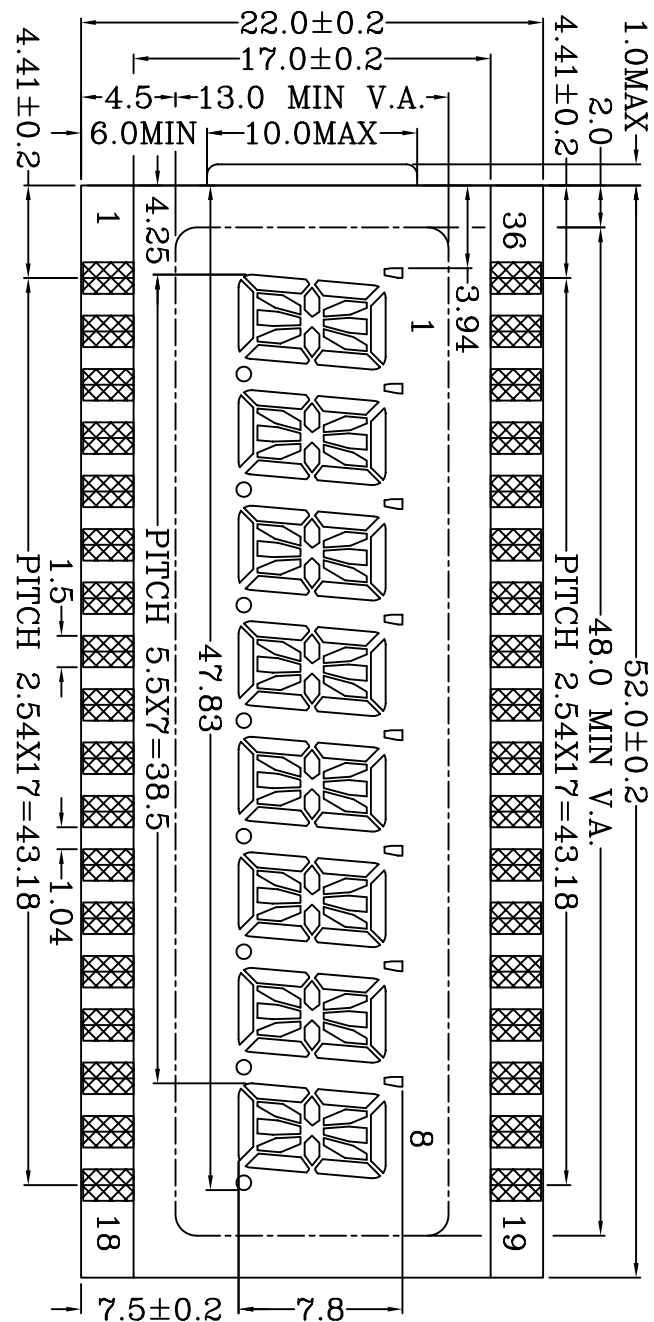
Customer Model:

Customer Approve By:

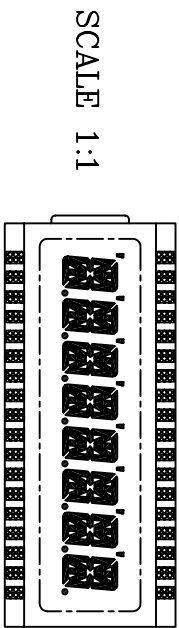
REV.

DESCRIPTION OF MODIFY

DATE



PIN NO. 512



SCALE 1:1

DISPLAY TYPE : TN, POSITIVE MODE  
 POLARIZER MODE : TRANSPARENT  
 CONNECTOR : PIN  
 VIEW ANGLE : 6 O'CLOCK  
 MULTIPLEX : 1/4 DUTY  
 BIAS RATIO : 1/3 BIAS  
 DISPLAY DRIVER : --  
 OPERATING VOLTAGE : 5.0 V  
 OPERATING TEMP : -30°C TO +80°C  
 STORAGE TEMP : -35°C TO +85°C

PIN	1	2	3	4	5	6	7	8	9	10	11	12	13	14	15	16	17	18
COM1	1D	1K	2D	2K	3D	3K	4D	4K	5D	5K	6D	6K	7D	7K	8D	8K	COM1	--
COM2	1E	1J	2E	2J	3E	3J	4E	4J	5E	5J	6E	6J	7E	7J	8E	8J	--	COM2
COM3	1F	1I	2F	2I	3F	3I	4F	4I	5F	5I	6F	6I	7F	7I	8F	8I	--	--
COM4	1S	1H	2S	2H	3S	3H	4S	4H	5S	5H	6S	6H	7S	7H	8S	8H	--	--
PIN	19	20	21	22	23	24	25	26	27	28	29	30	31	32	33	34	35	36
COM1	--	--	8P	8L	7P	7L	6P	6L	5P	5L	4P	4L	3P	3L	2P	2L	1P	1L
COM2	--	--	8C	8M	7C	7M	6C	6M	5C	5M	4C	4M	3C	3M	2C	2M	1C	1M
COM3	COM3	--	8B	8N	7B	7N	6B	6N	5B	5N	4B	4N	3B	3N	2B	2N	1B	1N
COM4	--	COM4	8A	8G	7A	7G	6A	6G	5A	5G	4A	4G	3A	3G	2A	2G	1A	1G

DRAWN BY : Kathy  
 Apr-02-2004  
 CHECKED BY : H W T  
 Apr-02-2004

**海南清华显示器件科技开发有限公司**  
 HAINAN QINGHUA LCD TECHNOLOGY DEVELOPMENT CO.,LTD

UNITS: MM  
 TITLE: CUSTOMER LCD

DWG NO. : H030582  
 REV: A0  
 SHEET: 1 OF 1  
 SCALE: NTS