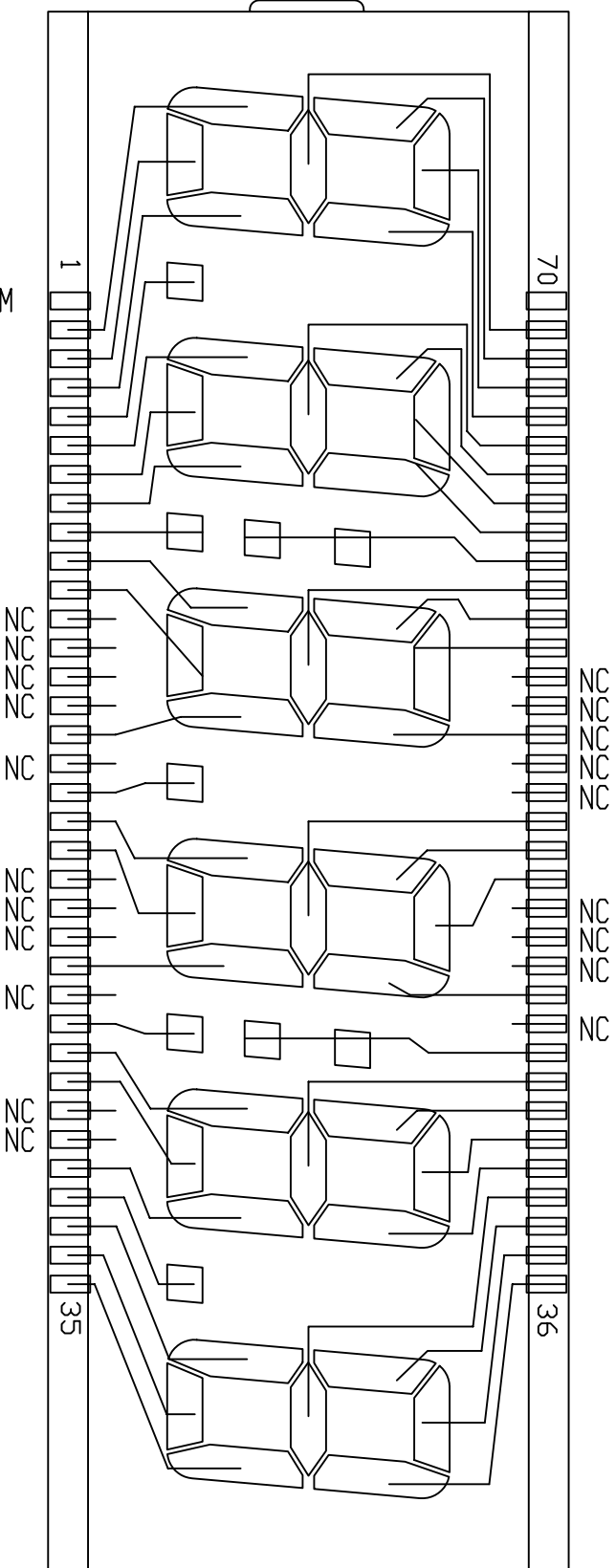
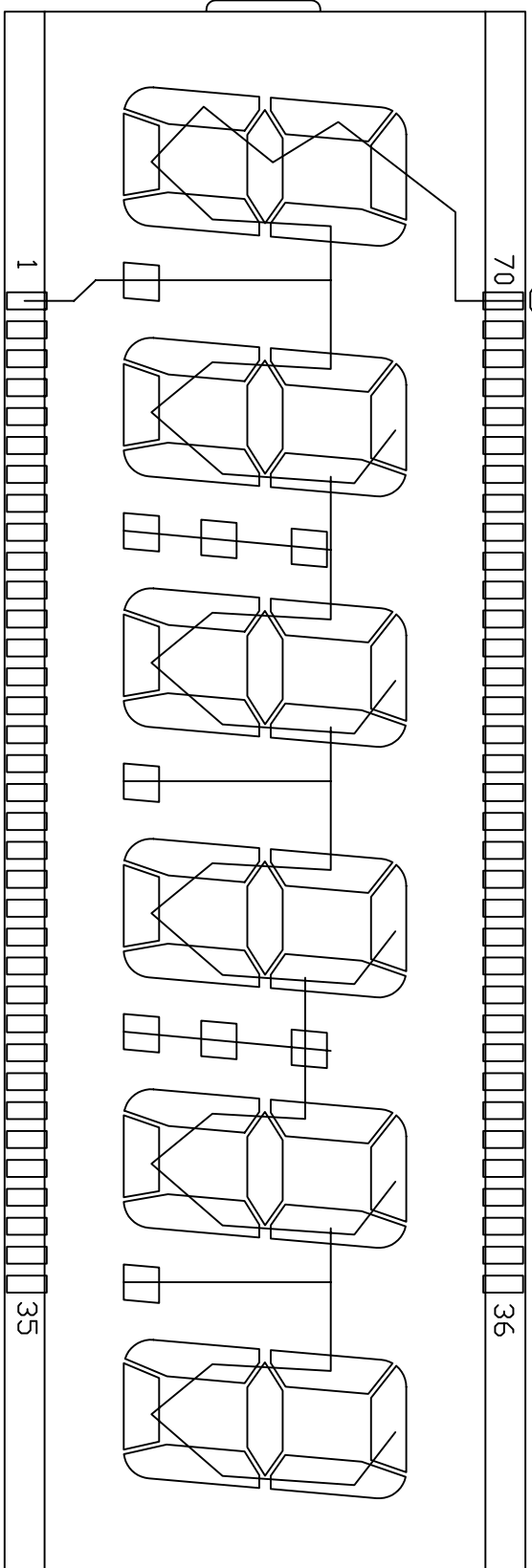


PIN	1	2	3	4	5	6	7	8	9	10	11	12	13	14	15	16	17	18	19	20	21	22	23
COM	COM	1B	1D	1C	DP1	2E	2D	2C	DP2	3E	3D	NC	NC	NC	NC	3C	NC	DP3	4E	4D	NC	NC	NC
PIN	24	25	26	27	28	29	30	31	32	33	34	35	36	37	38	39	40	41	42	43	44	45	46
COM	4C	NC	DP4	5E	5D	NC	NC	5C	DP5	6E	6D	6C	6B	6A	6F	6G	5B	5A	5F	5G	CO2	NC	4B
PIN	47	48	49	50	51	52	53	54	55	56	57	58	59	60	61	62	63	64	65	66	67	68	69
COM	NC	NC	NC	4A	4F	4G	NC	NC	3B	NC	NC	3A	3F	3G	CO1	2B	2A	2F	2G	1B	1A	1F	1G
COM	NC	NC	NC	4A	4F	4G	NC	NC	3B	NC	NC	3A	3F	3G	CO1	2B	2A	2F	2G	1B	1A	1F	1G
COM	NC	NC	NC	4A	4F	4G	NC	NC	3B	NC	NC	3A	3F	3G	CO1	2B	2A	2F	2G	1B	1A	1F	1G
COM	NC	NC	NC	4A	4F	4G	NC	NC	3B	NC	NC	3A	3F	3G	CO1	2B	2A	2F	2G	1B	1A	1F	1G
COM	NC	NC	NC	4A	4F	4G	NC	NC	3B	NC	NC	3A	3F	3G	CO1	2B	2A	2F	2G	1B	1A	1F	1G
COM	NC	NC	NC	4A	4F	4G	NC	NC	3B	NC	NC	3A	3F	3G	CO1	2B	2A	2F	2G	1B	1A	1F	1G
COM	NC	NC	NC	4A	4F	4G	NC	NC	3B	NC	NC	3A	3F	3G	CO1	2B	2A	2F	2G	1B	1A	1F	1G
COM	NC	NC	NC	4A	4F	4G	NC	NC	3B	NC	NC	3A	3F	3G	CO1	2B	2A	2F	2G	1B	1A	1F	1G
COM	NC	NC	NC	4A	4F	4G	NC	NC	3B	NC	NC	3A	3F	3G	CO1	2B	2A	2F	2G	1B	1A	1F	1G
COM	NC	NC	NC	4A	4F	4G	NC	NC	3B	NC	NC	3A	3F	3G	CO1	2B	2A	2F	2G	1B	1A	1F	1G
COM	NC	NC	NC	4A	4F	4G	NC	NC	3B	NC	NC	3A	3F	3G	CO1	2B	2A	2F	2G	1B	1A	1F	1G
COM	NC	NC	NC	4A	4F	4G	NC	NC	3B	NC	NC	3A	3F	3G	CO1	2B	2A	2F	2G	1B	1A	1F	1G
COM	NC	NC	NC	4A	4F	4G	NC	NC	3B	NC	NC	3A	3F	3G	CO1	2B	2A	2F	2G	1B	1A	1F	1G
COM	NC	NC	NC	4A	4F	4G	NC	NC	3B	NC	NC	3A	3F	3G	CO1	2B	2A	2F	2G	1B	1A	1F	1G
COM	NC	NC	NC	4A	4F	4G	NC	NC	3B	NC	NC	3A	3F	3G	CO1	2B	2A	2F	2G	1B	1A	1F	1G
COM	NC	NC	NC	4A	4F	4G	NC	NC	3B	NC	NC	3A	3F	3G	CO1	2B	2A	2F	2G	1B	1A	1F	1G

# SEGMENT



# COMMON



设计: \_\_\_\_\_ 审核: \_\_\_\_\_

复查: \_\_\_\_\_ 批准: \_\_\_\_\_

SCALE	TITLE	LCD DRAWING	
UNIT: mm	PROJECT	HD6593	
REV. 1	PAGE	2 OF 2	
DATE	DATE	2002-11-21	

HAINAN QINGHUA LCD TECHNOLOGY LTD