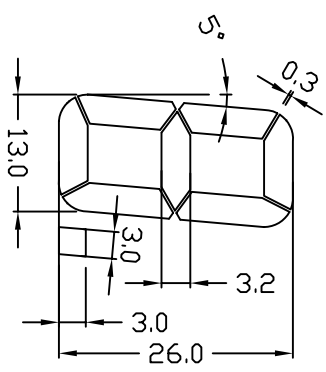
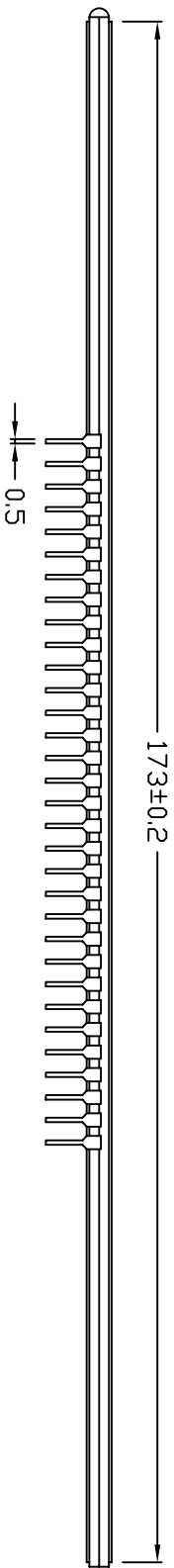
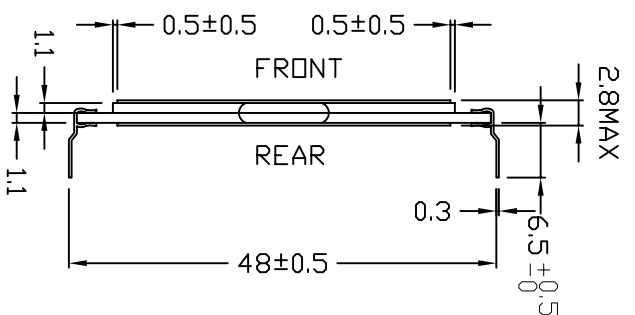
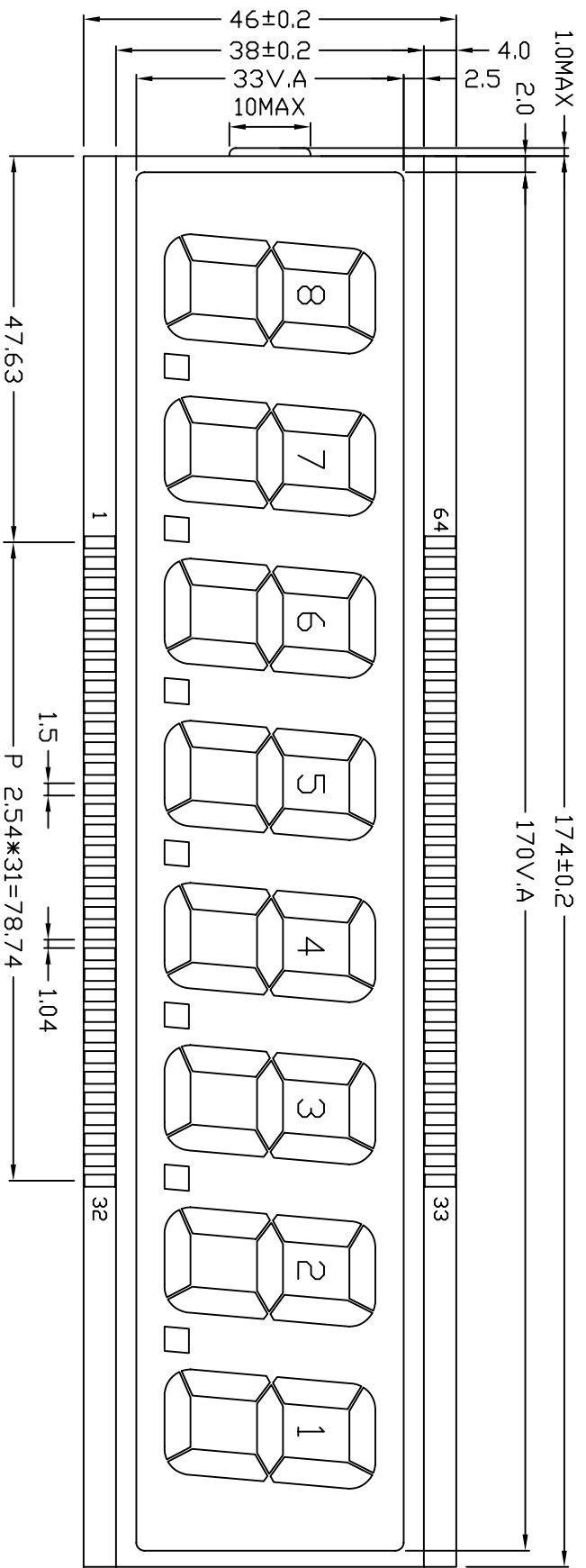


确认签名:



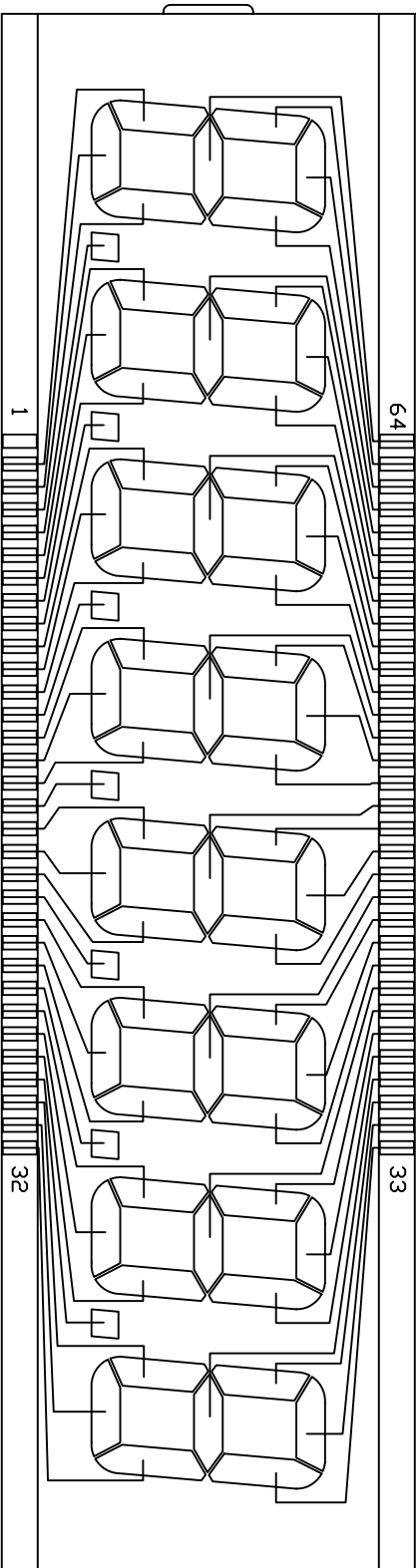
DISPLAY MODE:	POSITIVE & TN	DRIVE METHOD:	STATIC
FRONT POLARIZER:	TRANSMISSIVE	OPERATION TEMPERATURE:	-30°C TO +80°C
BACK POLARIZER:	TRANSFLECTIVE	STORAGE TEMPERATURE:	-35°C TO +85°C
VIEWING ANGLE:	6:00	CONNECTOR :	PIN
DRIVE VOLTAGE:	5V	ALL DIMENSION ARE IN mm WITH ±0.2 TOLERANCE UNLESS OTHERWISE SPECIFIED	

设计: 审核:

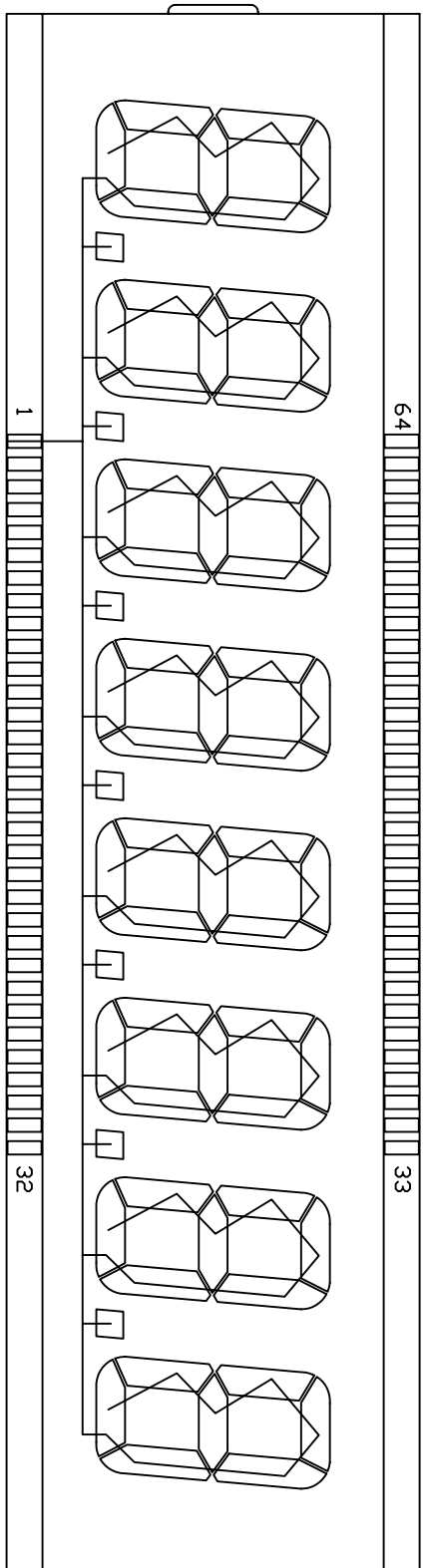
复查: 批准:

SCALE	TITLE	LCD DRAWING
UNIT: mm	PROJECT	HD6595
REV. 1	PAGE	1 OF 2
DATE	DATE	2002-11-21
HAINAN QINGHUA LCD TECHNOLOGY LTD		

确认签名:



SEGMENT



COMMENT

设计: \_\_\_\_\_ 审核: \_\_\_\_\_

复查: \_\_\_\_\_ 批准: \_\_\_\_\_

SCALE	TITLE	LCD DRAWING	
UNIT: mm	PROJECT	HD6595	
REV. 1	PAGE	2 OF 2	
	DATE	2002-11-21	

HAINAN QINGHUA LCD TECHNOLOGY LTD