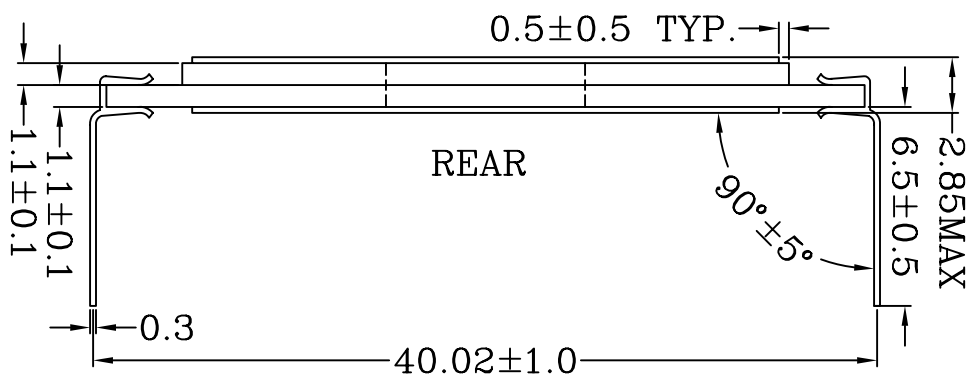
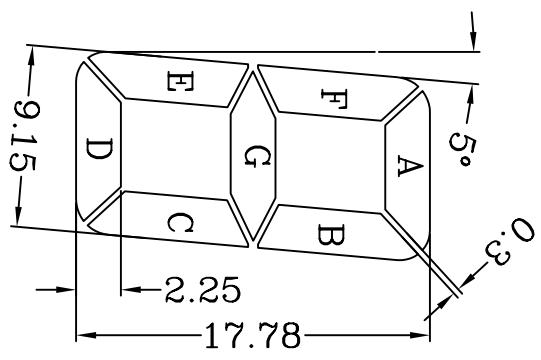


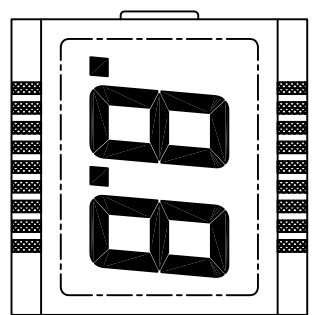
FRONT



REAR



SCALE 1:1



DISPLAY TYPE : TN, POSITIVE MODE  
 POLARIZER MODE : TRANSPARENT  
 CONNECTOR : PINS  
 VIEW ANGLE : 6 O'CLOCK  
 MULTIPLEX : STATIC  
 BIAS RATIO : --  
 DISPLAY DRIVER : --  
 OPERATING VOLTAGE : 5.0 V  
 OPERATING TEMP : -35°C TO +80°C  
 STORAGE TEMP : -40°C TO +85°C

PIN	1	2	3	4	5	6	7	8	9	10	11	12	13	14	15	16	17	18
BP	BP	P2	E2	D2	C2	P1	E1	D1	C1	B1	A1	F1	G1	B2	A2	F2	G2	BP

DRAWN BY : Kathy Feb-13-2004

CHECKED BY : H W T Feb-13-2004



海南清华显示器件科技开发有限公司

HAINAN QINGHUA LCD TECHNOLOGY DEVELOPMENT CO.,LTD

DWG NO. : HQ30211

UNITS	MM
TITL	CUSTOMER LCD
REV:	A2
SHEET:	1 OF 1
SIZE:	A4
SCALE:	NTS