

Customer:

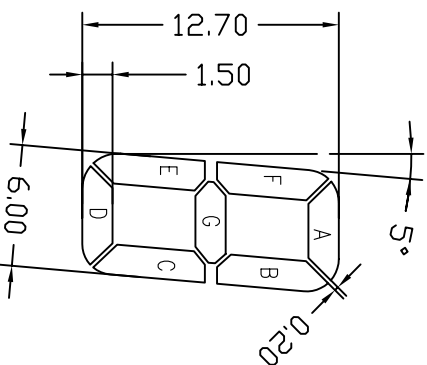
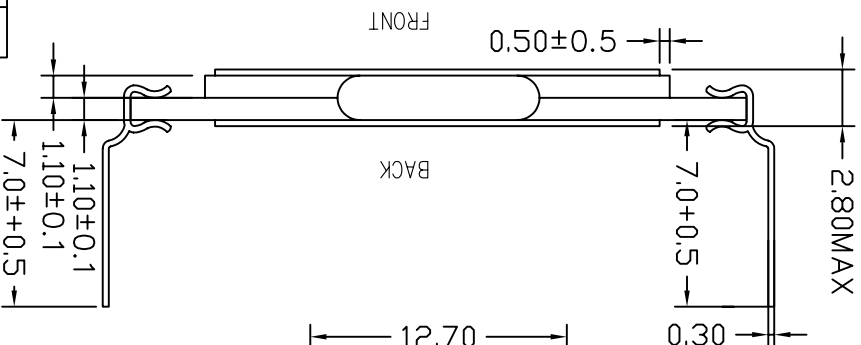
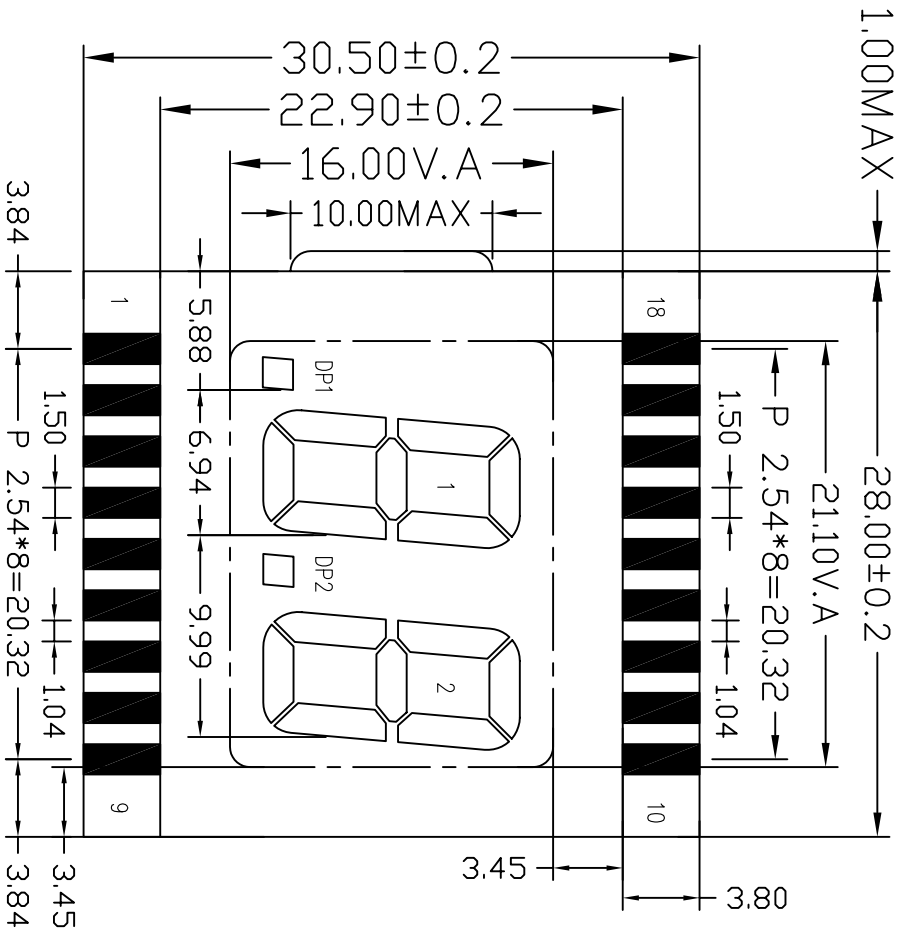
Customer Mode:

Customer Approve By:

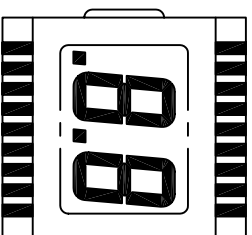
REV.

DESCRIPTION OF MODIFY

DATE



PN	1	2	3	4	5	6	7	8	9	10	11	12	13	14	15	16	17	18
COM	COM	DP1	E1	D1	C1	DP2	E2	D2	C2	B2	A2	F2	G2	B1	A1	F1	G1	COM



SCALE: 1:1

DISPLAY TYPE : TN, POSITIVE MODE
 POLARIZER MODE : REFLECTIVE
 CONNECTOR : PIN
 VIEW ANGLE : 6 O'CLOCK
 MULTIPLEX : 1/1 DUTY
 BIAS RATIO : 1/1 BIAS
 DISPLAY DRIVER : --
 OPERATING VOLTAGE : 5.0 V
 OPERATING TEMP : -30°C TO +70°C
 STORAGE TEMP : -40°C TO +80°C

DRAWN BY : LAIHEHUA 2004-10-29
 CHECKED BY :
 Approve By :



海南清华显示器件科技开发有限公司
 HAINAN QINGHUA LCD TECHNOLOGY DEVELOPMENT CO., LTD

DWG NO. : HQ30615

REV: A0
 SIZE: A4

UNITS	MM
	CUSTOMER LCD
TITL	SHEET: 1 OF 1
SCALE:	NTS