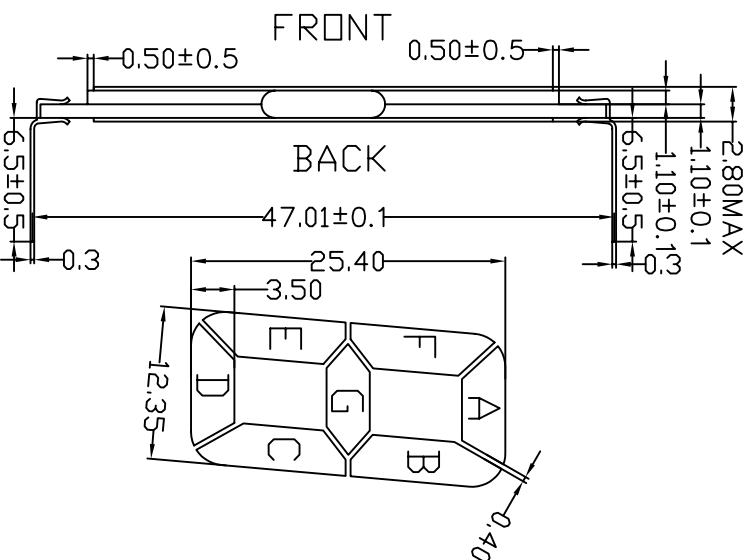
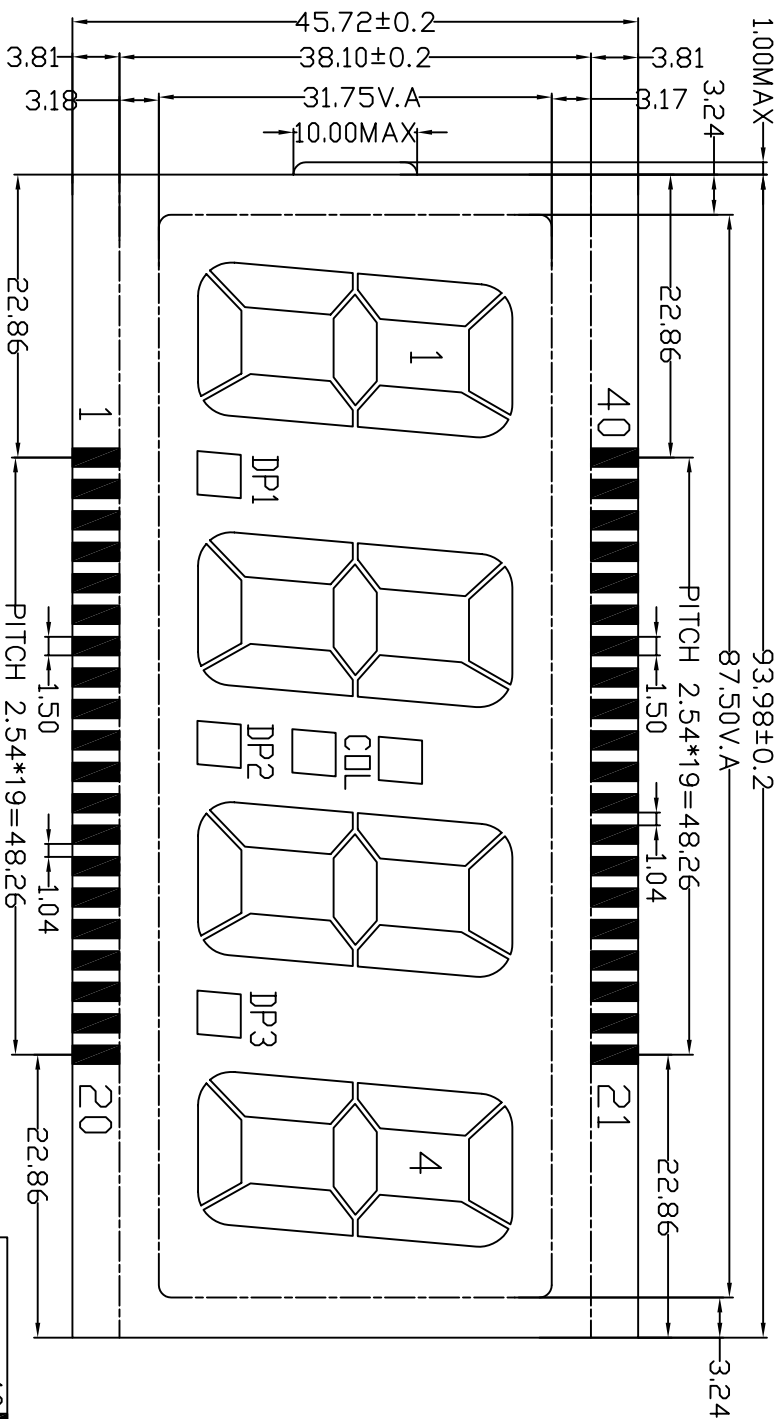


Customer:

Customer Mode:

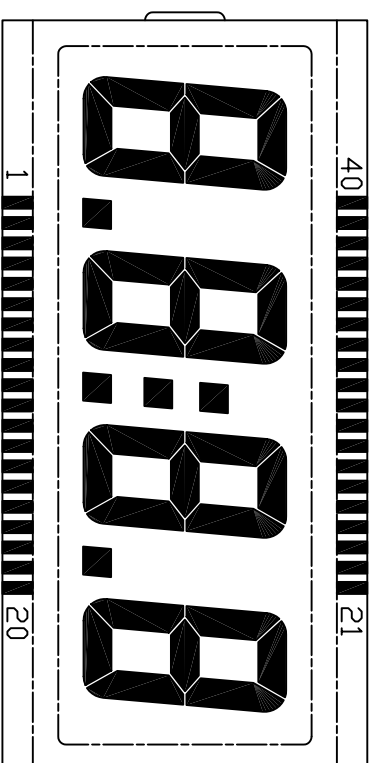
Customer Approve By:

REV.	DESCRIPTION OF MODIFY	DATE
A1	修改“8”字的高度为25.4MM	2004.11.26



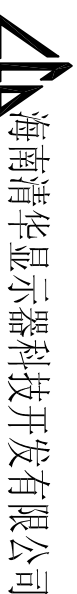
PIN	1	2	3	4	5	6	7	8	9	10	11	12	13	14	15	16	17	18	19	20
COM	COM	NC	NC	1E	1D	1C	DP1	2E	2D	2C	DP2	3E	3D	3C	DP3	4E	4D	4C	4B	4A
PIN	21	22	23	24	25	26	27	28	29	30	31	32	33	34	35	36	37	38	39	40
COM	4A	4F	4G	3B	3A	3F	3G	COL	2B	2A	2F	2G	NC	1B	1A	1F	1G	NC	NC	COM

SCALE 1:1



DISPLAY TYPE : TN, POSITIVE MODE  
 POLARIZER MODE : TRANSPARENT  
 CONNECTOR : PIN  
 VIEW ANGLE : 6 O'CLOCK  
 MULTIPLEX : 1/1 DUTY  
 BIAS RATIO : 1/1 BIAS  
 DISPLAY DRIVER : --  
 OPERATING VOLTAGE : 5.0 V  
 OPERATING TEMP : -30°C TO +80°C  
 STORAGE TEMP : -35°C TO +85°C

DRAWN BY :	F T T 2004-11-26
CHECKED BY :	
Approve By :	



HAINAN QINGHUA LCD TECHNOLOGY DEVELOPMENT CO.,LTD

DWG NO. : HQ30619

REV:	A1	SHEET:	1 OF 1
SIZE:	A4	SCALE:	NTS



UNITS: MM  
 TITL: CUSTOMER LOGO