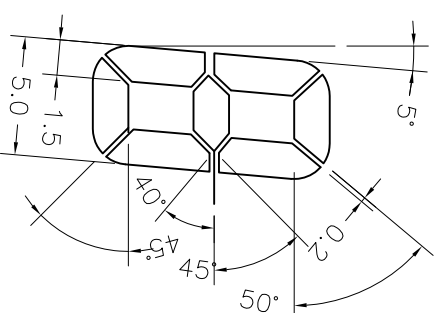
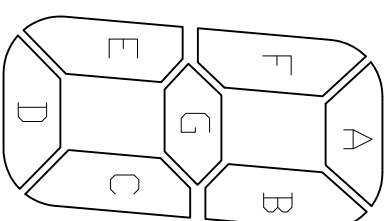
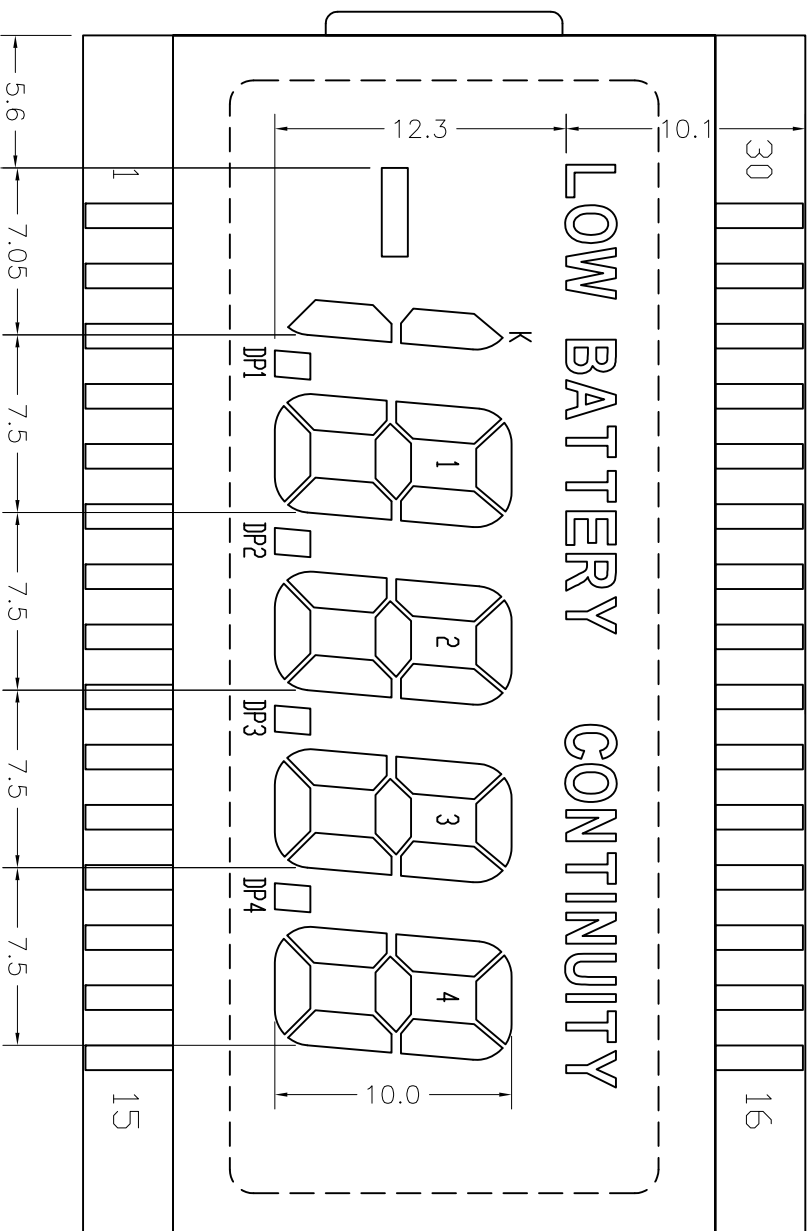


PIN	1	2	3	4	5	6	7	8	9	10	11	12	13	14	15	16-30
CM1	1F	1A	1B	2F	2A	2B	3F	3A	3B	4F	4A	4B	CM1			
CM2	1E	1G	1C	2E	2G	2C	3E	3G	3C	4E	4G	4C	CM2			NC
CM3	DP1	1D	K	DP2	2D		DP3	3D	LDPAT	DP4	4D	CONT				CM3

DISPLAY TYPE : TN, POSITIVE MODE
 POLARIZER MODE : REFLECTIVE
 CONNECTOR : PINS
 VIEW ANGLE : 6 O'CLOCK
 MULTIPLEX : 1/3 DUTY
 BIAS RATIO : 1/3 BIAS
 DISPLAY DRIVER : --
 OPERATING VOLTAGE : 3.0 V
 OPERATING TEMP : 0°C TO +55°C
 STORAGE TEMP : -10°C TO +60°C

DRAWN BY :	Y.L	2005.04.15
CHECKED BY :		
Approve By :		

海南清华显示器件科技开发有限公司
 HAINAN QINGHUA LCD TECHNOLOGY DEVELOPMENT CO.,LTD
 DWG NO. : HQA3052A
 REV: A0
 SHEET: 1 OF 2
 SCALE: NTS



DRAWN BY : Y.L 2005.04.15

CHECKED BY :

Approve By :



海南清华显示器科技开发有限公司

HAINAN QINGHUA LCD TECHNOLOGY DEVELOPMENT CO.,LTD

DWG NO. : HQA3052A



UNITS MM

TITL CUSTOMER LCD

REV: A0 SHEET: 2 OF 2

SIZE: A4 SCALE: NTS