

SPECIFICATION:

0.5±0.4

TOP POLARIZER AS TRANSMISSIVE

0.5±0.4

2.8 MAX

0.5±0.4

0.5±0.4

DISPLAY TYPE : TN, POSITIVE MODE

POLARIZER MODE : REFLECTIVE

CONNECTOR : PINS

VIEW ANGLE : 6 O'CLOCK

MULTIPLEX : 1/3 DUTY

BIAS RATIO : 1/3 BIAS

DISPLAY DRIVER : --

OPERATING VOLTAGE : 3.0 V

OPERATING TEMP : 0°C TO +55°C

STORAGE TEMP : -10°C TO +60°C

PIN	1	2	3	4	5	6	7	8	9	10	11	12	13	14	15	16	17	18
CON1	S4	AC	4B	3F	3A	3B	2F	2A	2B	1F	1A	1B	S3			CON1		
CON2	S5	S6	4C	3E	3G	3C	2E	2G	2C	1E	1G	1C	K	S1	S2			CON2
CON3		S7	4DP		3D	DP3		2D	DP2		1D		M	V	A			CON3

DRAWN BY : Y.L 2005.04.16

CHECKED BY :

Approve By :

海南清华显示器件科技有限公司

HAINAN QINGHUA LCD TECHNOLOGY DEVELOPMENT CO.,LTD

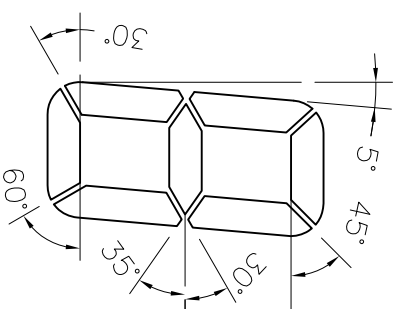
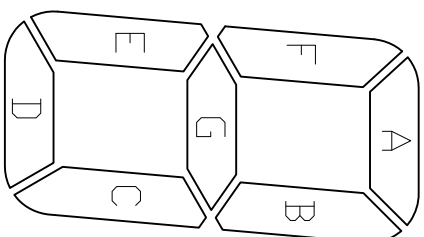
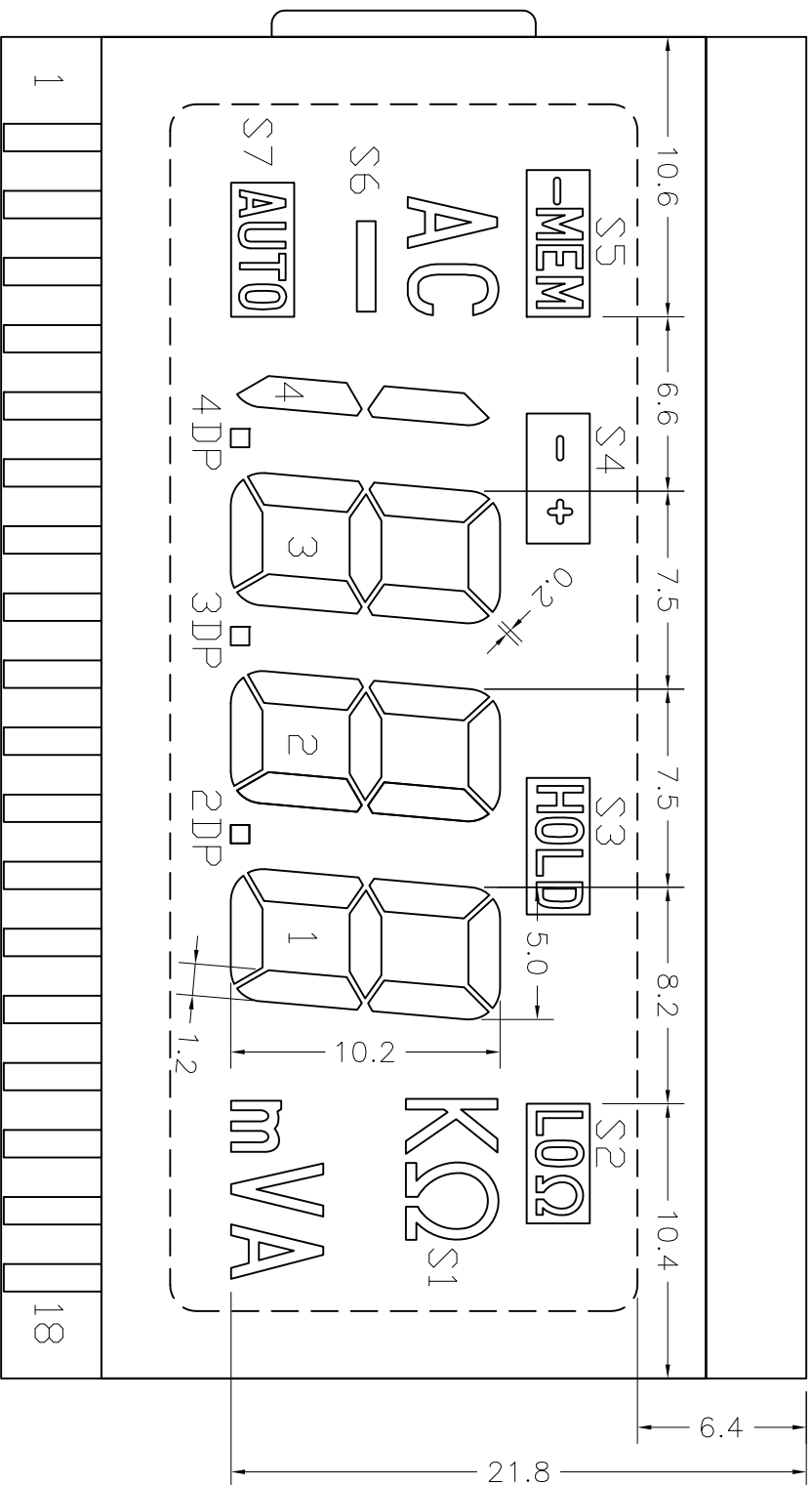
DWG NO. : HQA3053A

REV: A0

SIZE: A4

SHEET: 1 OF 2

SCALE: NTS



DRAWN BY : Y.L 2005.04.16

CHECKED BY :

Approve By :



海南清华显示器科技开发有限公司  
HAINAN QINGHUA LCD TECHNOLOGY DEVELOPMENT CO.,LTD

DWG NO. : HQA3053A



UNITS MM

TITL CUSTOMER LCD

REV: A0 SHEET: 2 OF 2  
SIZE: A4 SCALE: NTS