

DISPLAY TYPE : TN, POSITIVE MODE
 POLARIZER MODE : TRANSLLECTIVE
 CONNECTOR : PINS
 VIEW ANGLE : 6 O'CLOCK
 MULTIPLEX : 1/1 DUTY
 BIAS RATIO : 1/1 BIAS
 DISPLAY DRIVER : --
 OPERATING VOLTAGE : 5.0 V
 OPERATING TEMP : -30°C TO +80°C
 STORAGE TEMP : -35°C TO +85°C

DRAWN BY :	Y.L	2005.07.09
CHECKED BY :		
Approve By :		



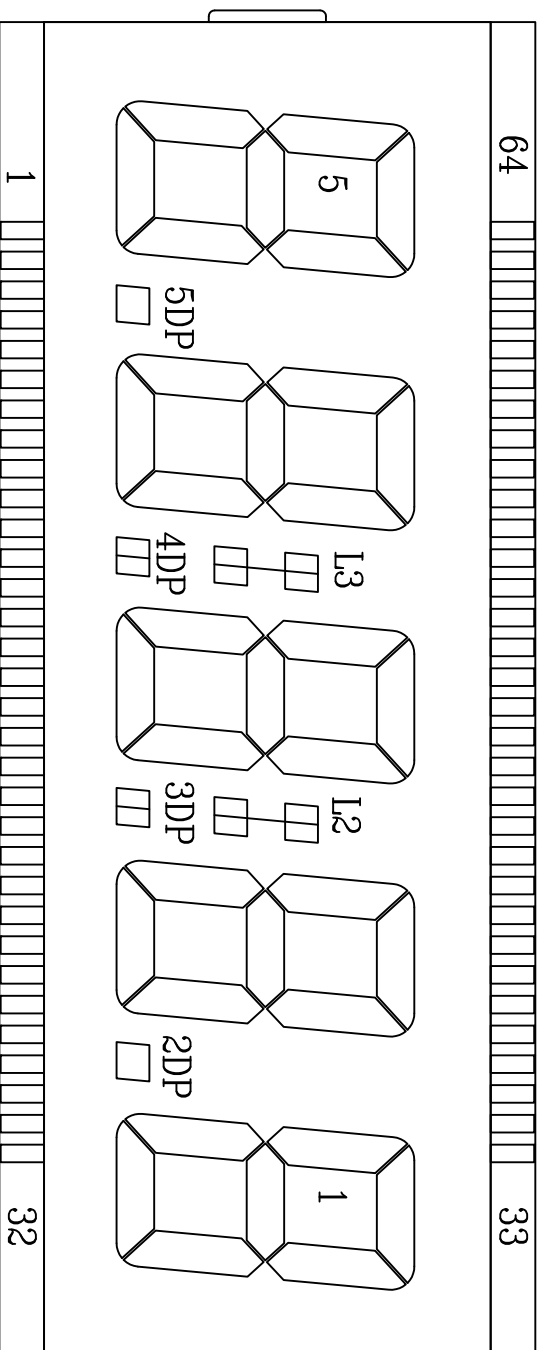
海南清华显示器件科技开发有限公司
 HAINAN QINGHUA LCD TECHNOLOGY DEVELOPMENT CO.,LTD

DWG NO. : HQA3257A

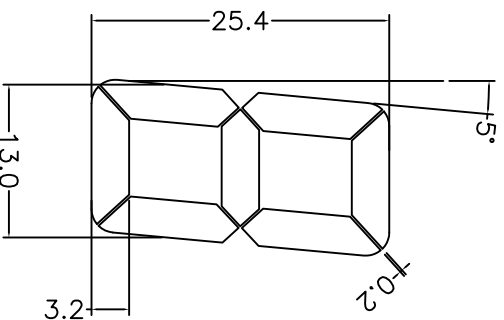
REV: A0
 SIZE: A4

UNITS	MM
TITL	CUSTOMER LCD
SHEET:	1 OF 2
SCALE:	NTS





PIN	COM	PIN	COM	PIN	COM	PIN	COM	PIN	COM
1	COM	17	/	33	1A	49	/		
2	5E	18	3D	34	1F	50	3F		
3	5D	19	3C	35	1G	51	3G		
4	5C	20	3DP	36	/	52	L3		
5	5DP	21	/	37	/	53	/		
6	4E	22	/	38	2B	54	4B		
7	/	23	2E	39	2A	55	4A		
8	/	24	/	40	/	56	/		
9	4D	25	2D	41	/	57	/		
10	4C	26	2C	42	2F	58	4F		
11	/	27	/	43	2G	59	4G		
12	4DP	28	2DP	44	L2	60	5B		
13	/	29	1E	45	3B	61	5A		
14	3E	30	1D	46	3A	62	5F		
15	/	31	1C	47	/	63	5G		
16	/	32	1B	48	/	64	COM		



DRAWN BY : Y.L 2005.07.09

CHECKED BY :

Approve By :



海南清华显示器科技开发有限公司
HAINAN QINGHUA LCD TECHNOLOGY DEVELOPMENT CO.,LTD

DWG NO. : HQA3257A



UNITS MM

TITL CUSTOMER LCD

REV: A0 SHEET: 2 OF 2

SIZE: A4 SCALE: NTS